

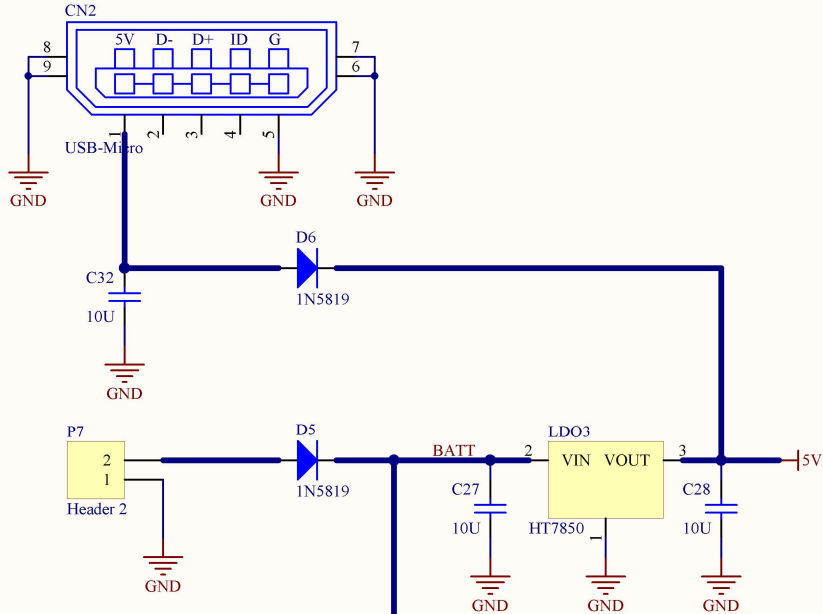
Blue Tooth BCM-7602-G01

FP_COM

HT32F52354

Title		
Size	Number	Revision
A4		
Date:	2020/5/15	Sheet of
File:	C:\Users\...MCU_52354_2019.SchDoc	Drawn By:

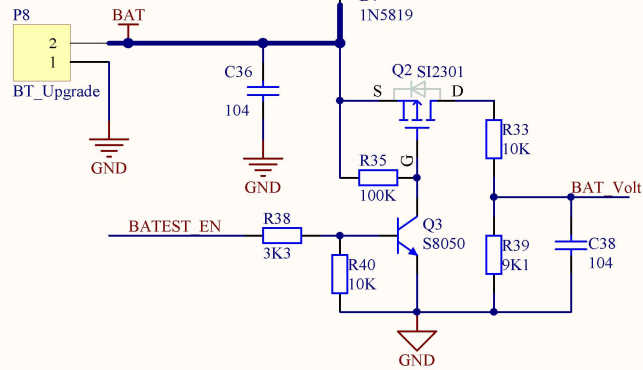
USB



Power:9V

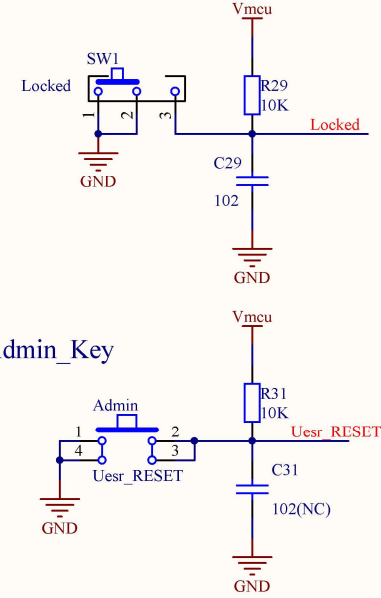
LDO
HT7350

Battery

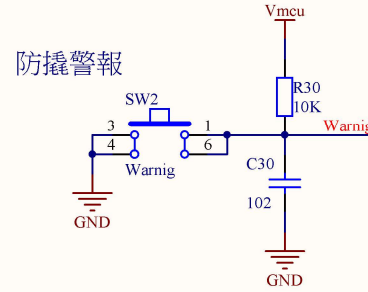


Power 1.5V*4

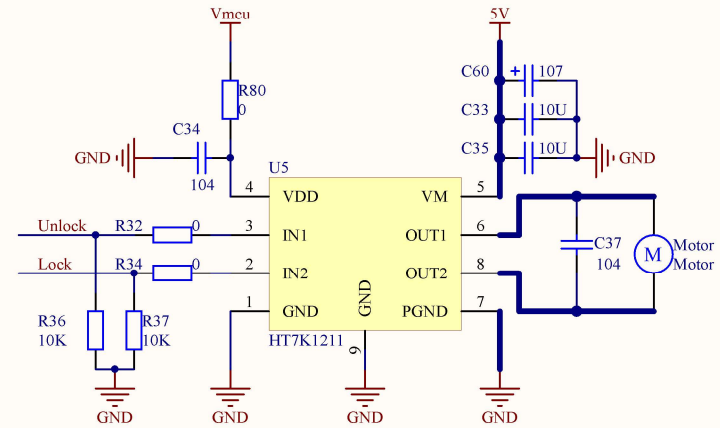
Lock



防擾警報

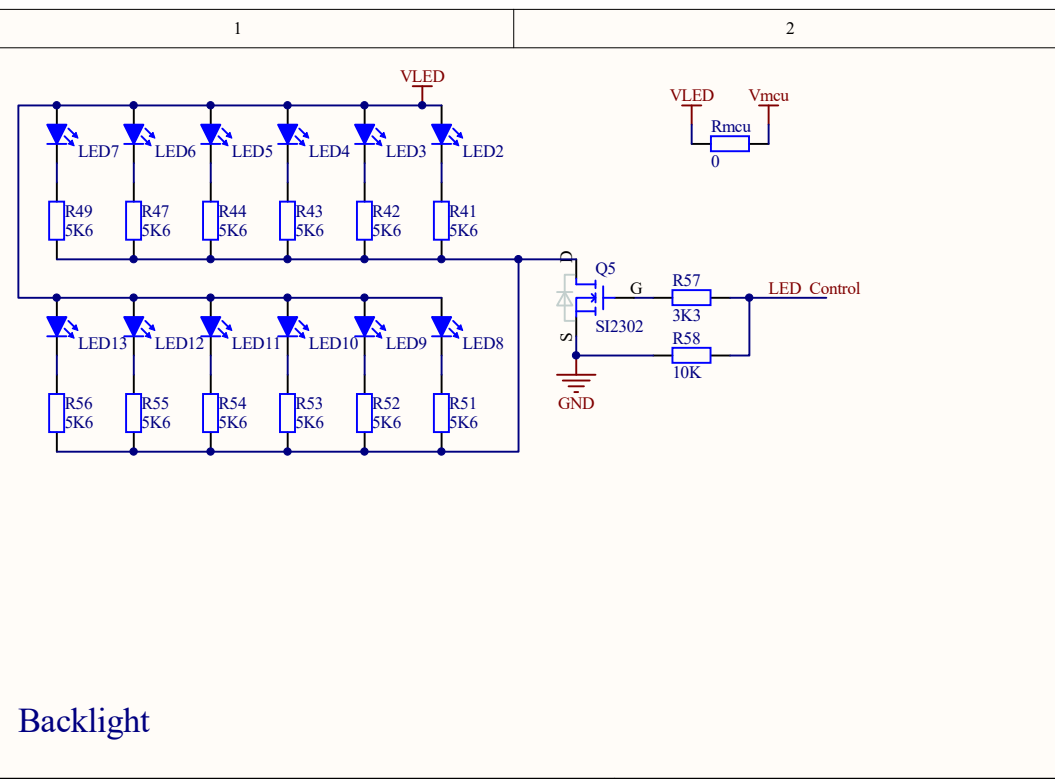


Key

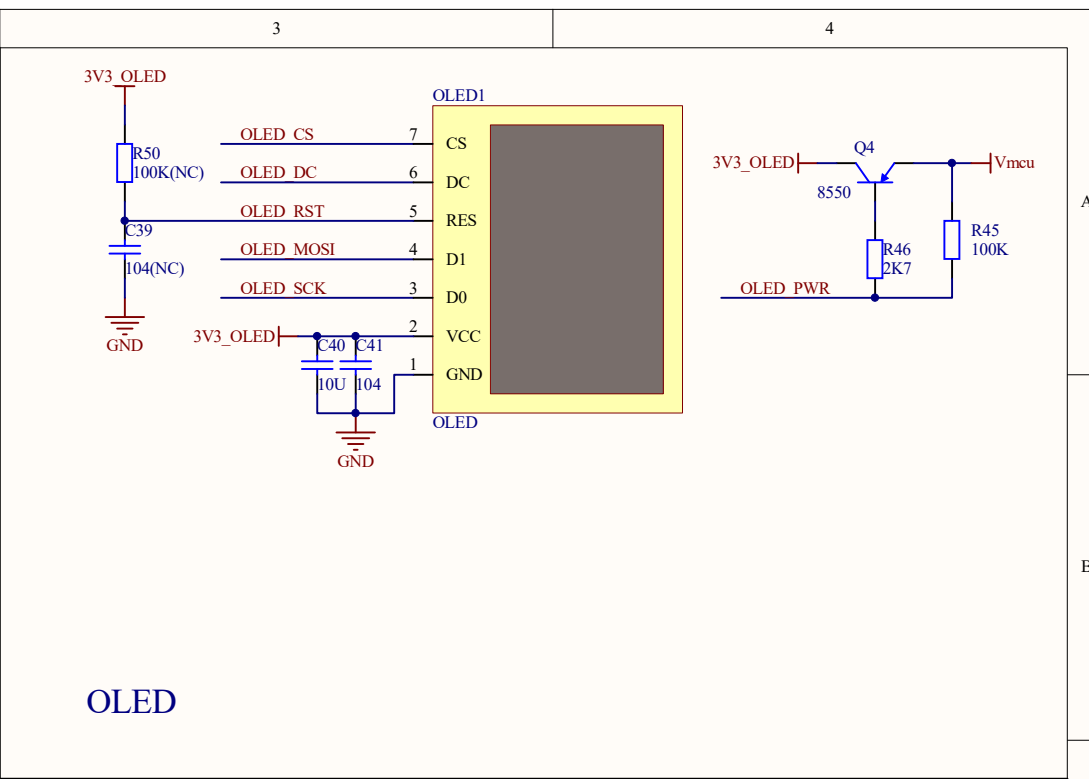


Motor Driver
HT7K1211

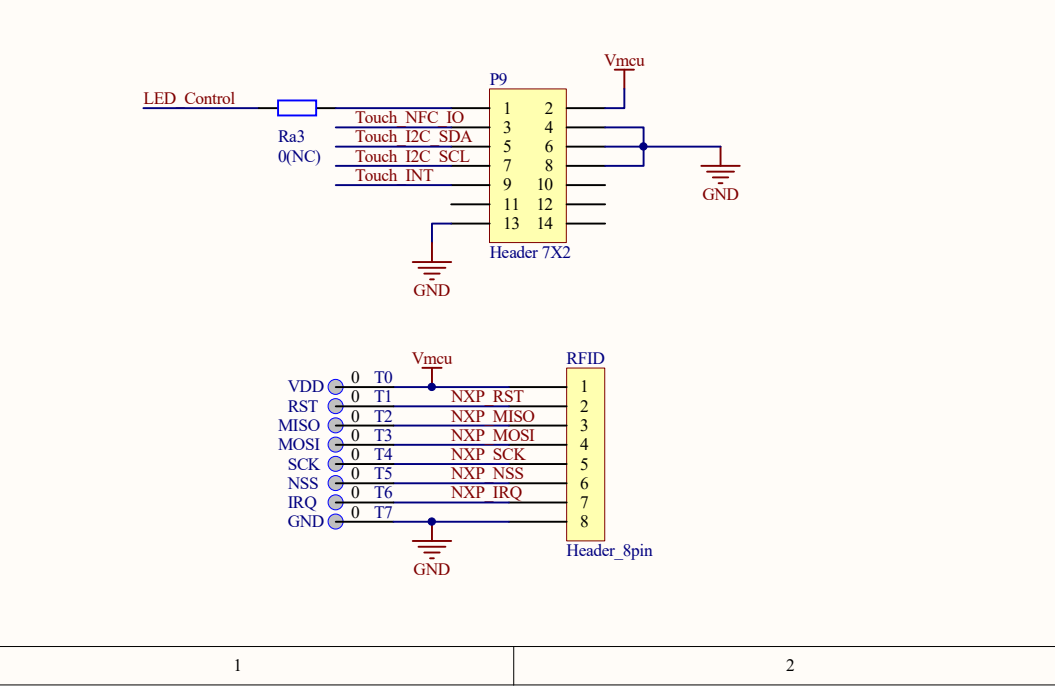
Title		
Size	Number	Revision
A4		
Date:	2020/5/15	Sheet of
File:	C:\Users\...\Power_20180710.SchDoc	Drawn By:



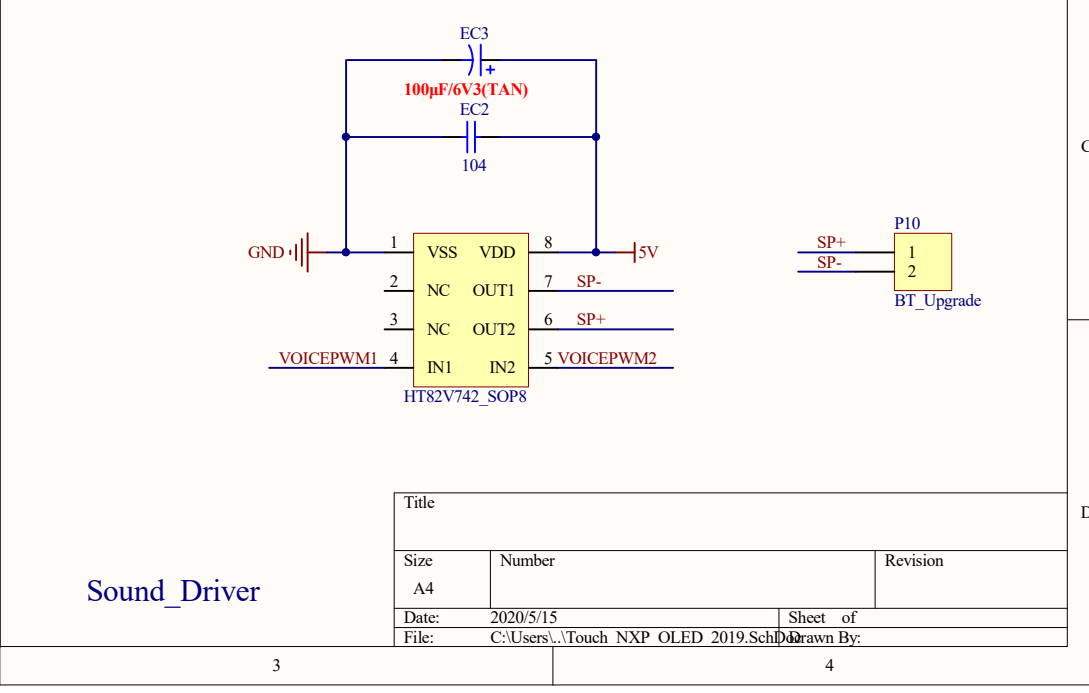
Backlight



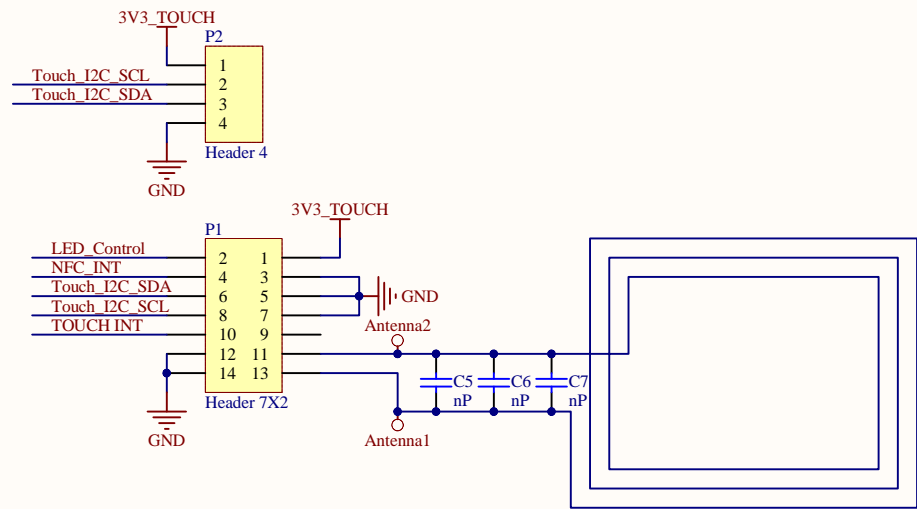
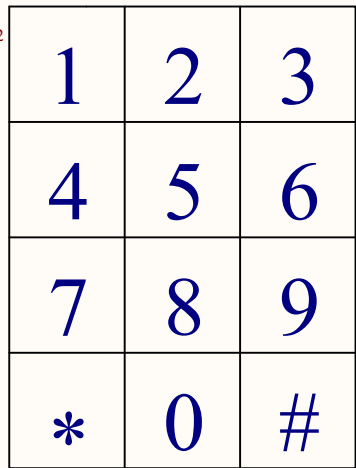
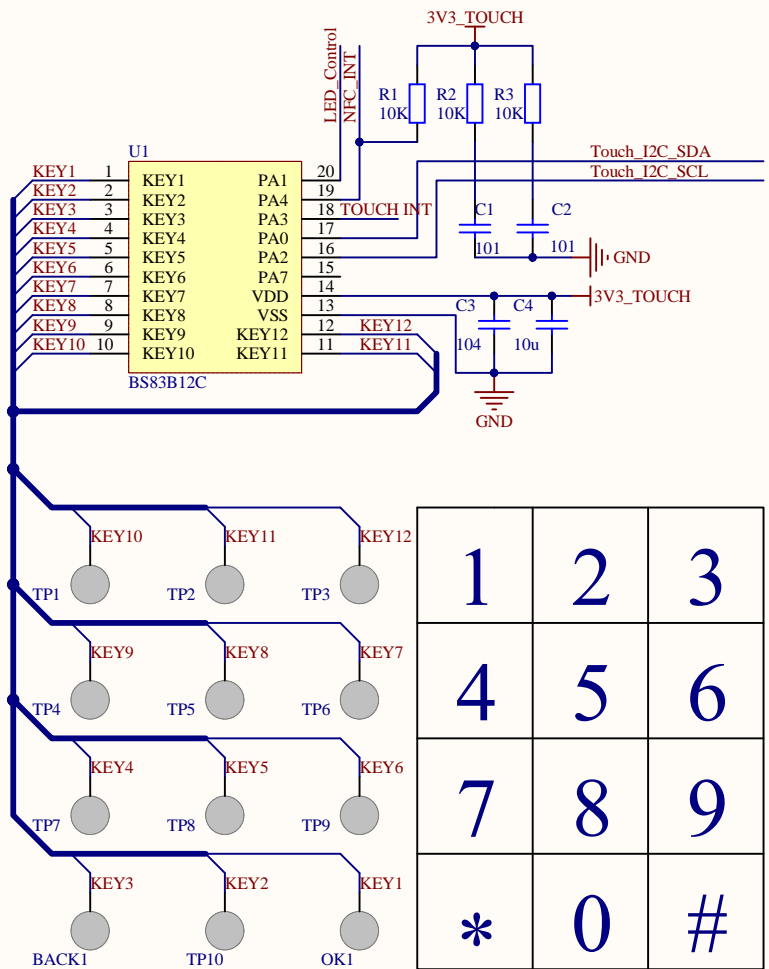
OLED



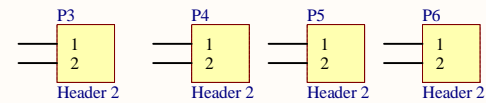
Sound_Driver



Title		
Size	Number	Revision
A4		
Date:	2020/5/15	Sheet of
File:	C:\Users\...\Touch NXP OLED 2019.SchDoc	Drawn By:



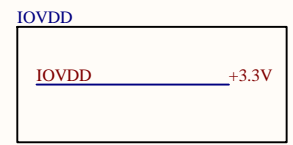
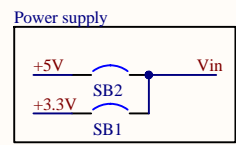
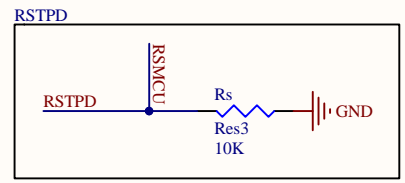
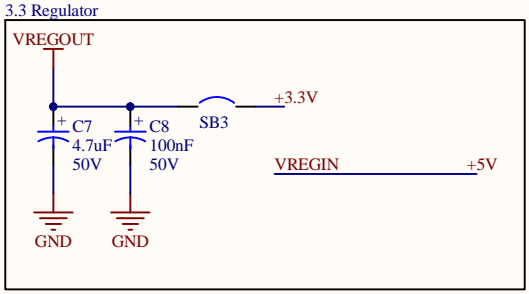
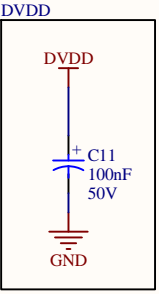
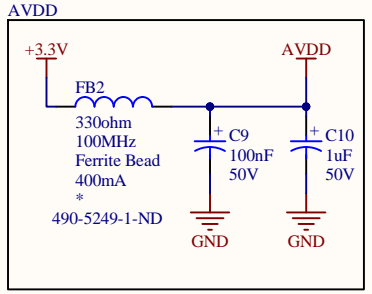
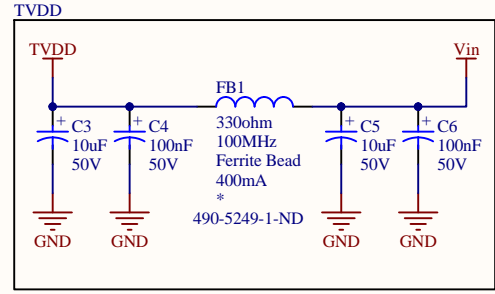
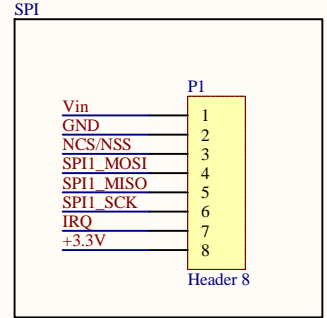
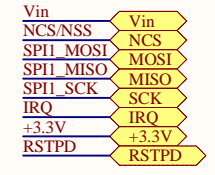
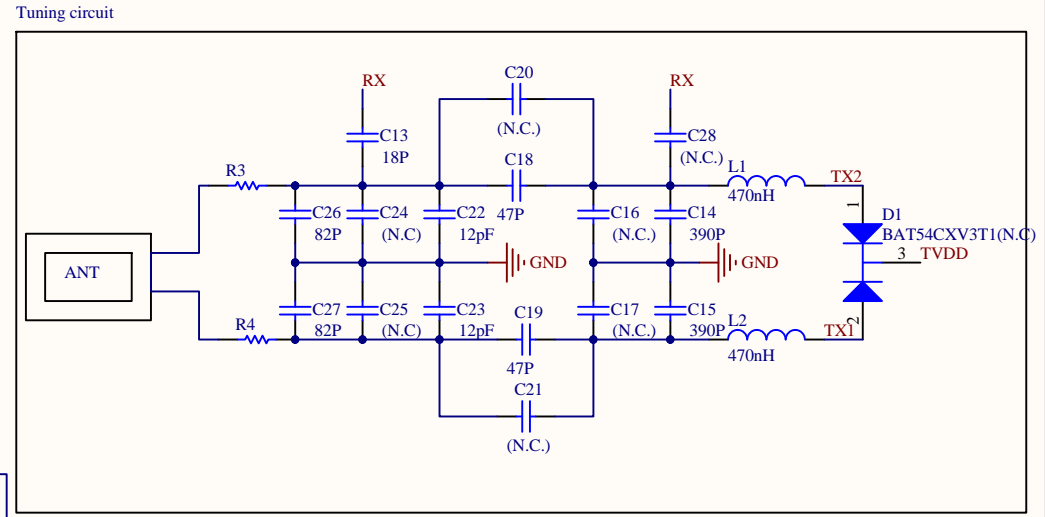
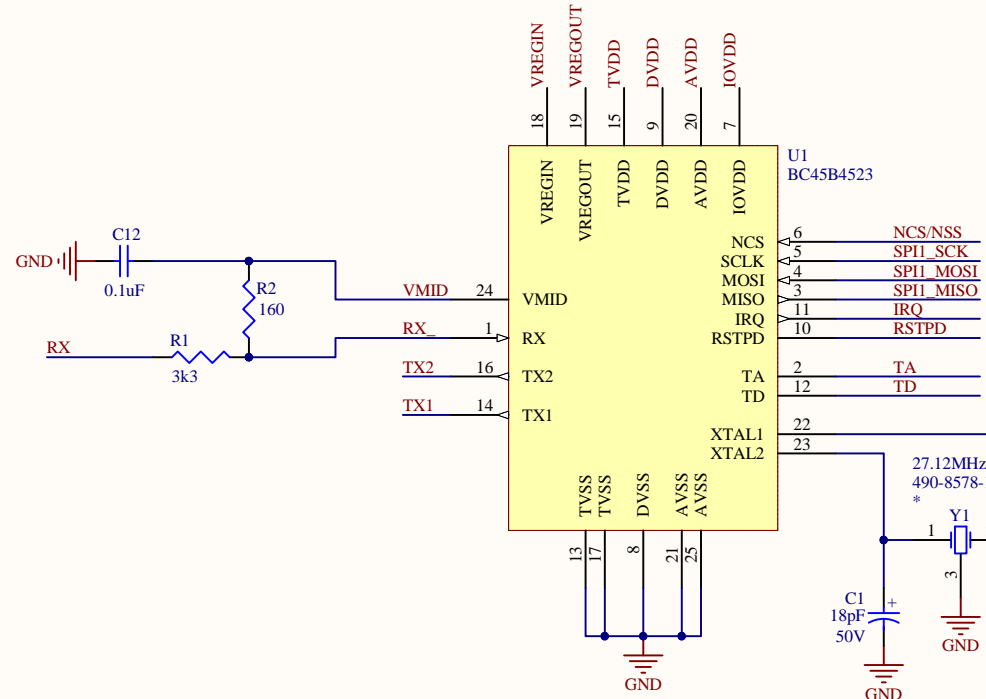
根据天线计算的匹配电容值为 84.494pF
 减去PCB分布电容约10pF (见NFC antenna calculator v1.2.xls)
 所以C5+C6+C7容值应为: 74.5pF左右



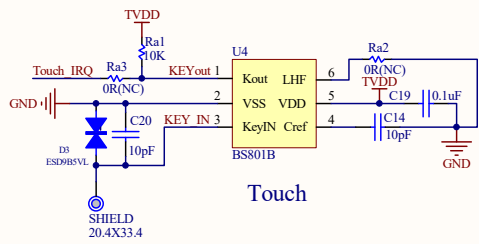
固定座

觸摸按鍵 BS83B12C

Title		
Size A4	Number	Revision
Date: 2020/7/13	Sheet of	
File: Y:\MyProject\觸摸按鍵Touch_BS82B12C\Drawings\SchDoc		

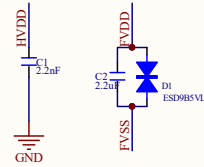


Title		
Size	Number	Revision
A4		
Date:	2020/7/13	Sheet of
File:	Y:\MyProject\NFC_BC45B4523_V03.SchDoc	

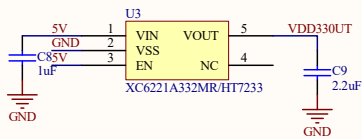
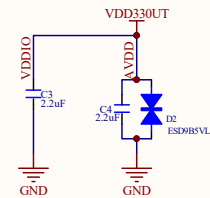
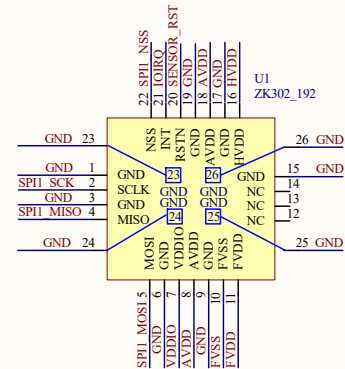


Touch

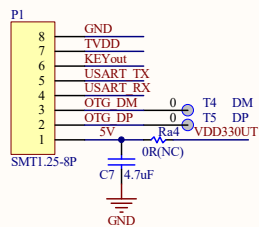
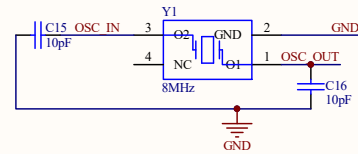
BS801B替代
LHF state: OPEN:Level Hold mode; LOW:Toggle mode
AHLB:1=>Active High; 0(Default)=>Active Low



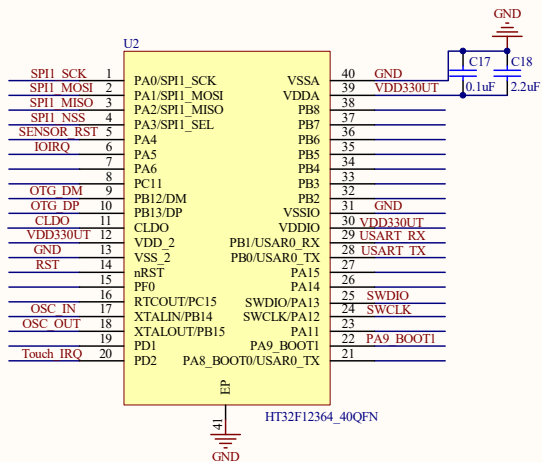
Sensor



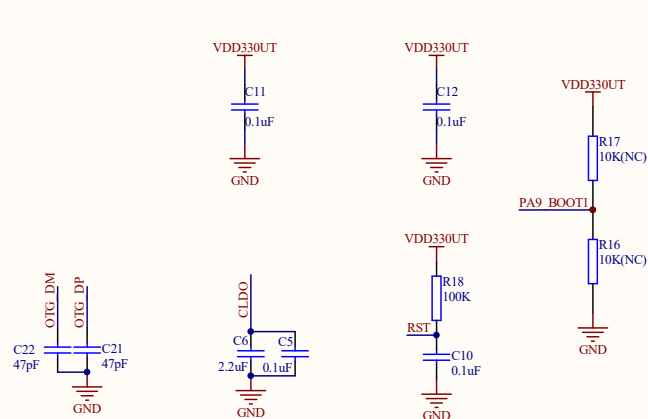
LDO



COM



MCU



Title		
Size	Number	Revision
B		
Date:	2020/7/3	Sheet of
File:	C:\Users\... \ZKM 12364 V04.Sch	Drawn By: