

Sealed Top and Rear, Rear Mounting Sunlight Viewable and NVG Option

Key Characteristics

Resilient

- IP68 sealed
- -55°C to +100°C operating and storage temp

Adaptable

- Customer specials on request
- Viewing angle options

Functional

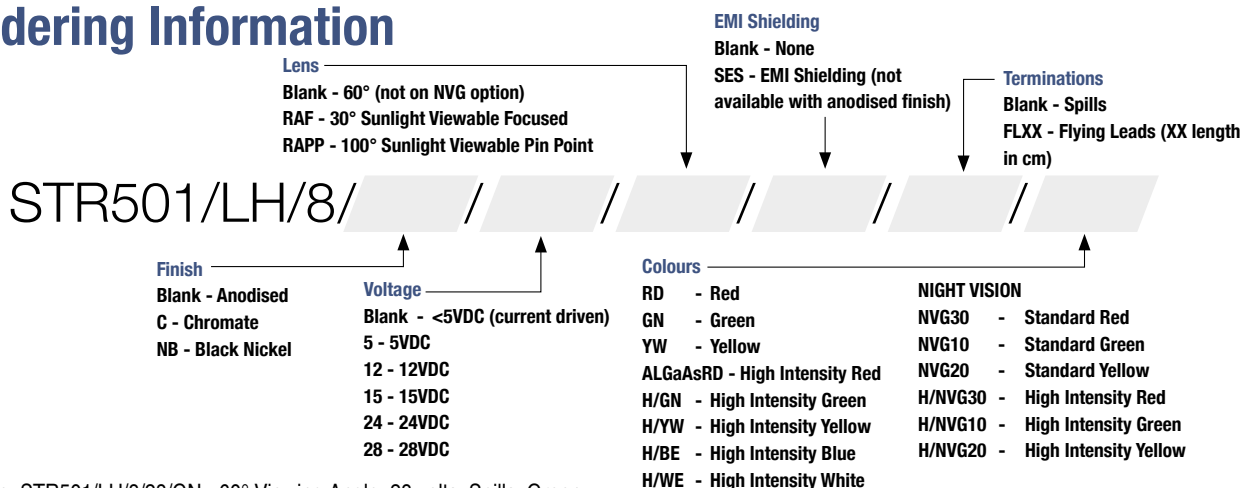
- 8mm rear mounting
- 30°, 60° or 100° viewing angle
- Removal from chassis possible without removing terminations



Specifications

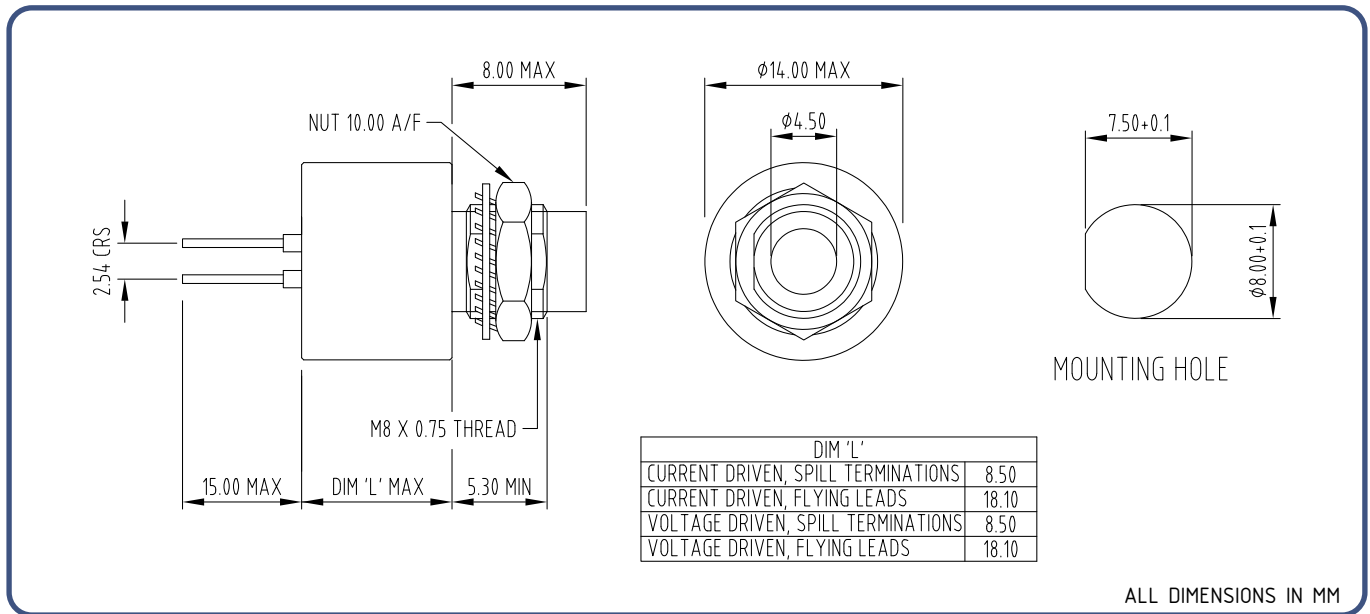
COLOURS											
	Luminous Intensity			White	Red	Yellow	Green	Blue	Voltage		Current (mA)
	Std	RAPP	RAF						Forward	Reverse	
	mcd	mcd	mcd								
Std	50	5	50	x	✓	x	x	x	1.9	5	20
	50	5	50	x	x	✓	x	x	2.1	5	20
	50	5	50	x	x	x	✓	x	2.2	5	20
	40	4	40	x	✓	✓	✓	x	5,12,15,24,28	5,12,15,24,28	15
High Intensity	150	15	120	x	✓	x	x	x	1.9	5	20
	800	125	750	x	x	✓	x	x	2.1	5	20
	2500	1000	2000	✓	x	x	✓	x	3.3	5	20
	600	40	450	x	x	x	x	✓	3.3	5	20
	100	10	90	x	✓	x	x	x	5,12,15,24,28	5,12,15,24,28	15
	600	100	550	x	x	✓	x	x	5,12,15,24,28	5,12,15,24,28	15
	2000	750	1500	✓	x	x	✓	x	5,12,15,24,28	5,12,15,24,28	15
	450	30	350	x	x	x	x	✓	5,12,15,24,28	5,12,15,24,28	15

Ordering Information



Example: STR501/LH/8/28/GN - 60° Viewing Angle, 28 volts, Spills, Green

Example: STR501/LH/8/RAPP/NVG30 - 100° Viewing Angle, Sunlight Viewable, Spills, Night Vision Compatible Red



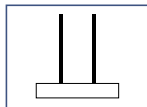
Technical Information

Terminations	Flying Leads, Spec 44 Wire/Spills, Iron Alloy Silver Plated
Body & Nut	Aluminium, Matt Black Anodised, Optional Chromate or Black Nickel Finish
Lockwasher	Corrosion Resistant Steel
Rear Potting	Black Stycast Compound
Chassis Thickness	1.7mm max
Recommended Mounting Torque	1Nm
Mean Time Before Failure	90,000 hours

Termination Options



Flying Leads



Spills

