

RFPC-SMA23-FN-186: SMA Bulkhead Jack With O-ring, Edge Mount Connector W/1.86mm Gap, Rated to IP68/69K, 6GHz

Material and Plating:

- Insulator A: Teflon
- Insulator B: Teflon
- Body: Brass, Gold Plated
- Pin: Phosphor Bronze, Gold Plated
- Gasket A: Silicon, Color: Red
- Gasket B: Silicon, Color: Red
- O-Ring: Silicone, Color: Red
- Barrel: Brass, Gold Plated

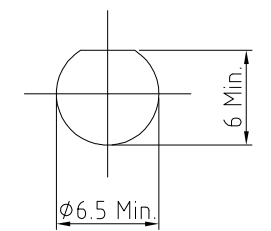
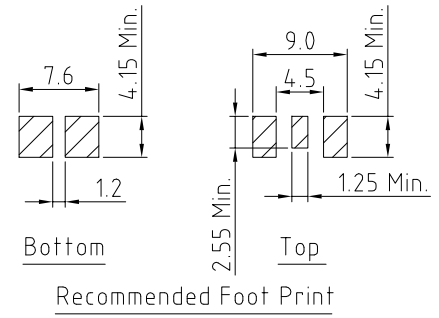
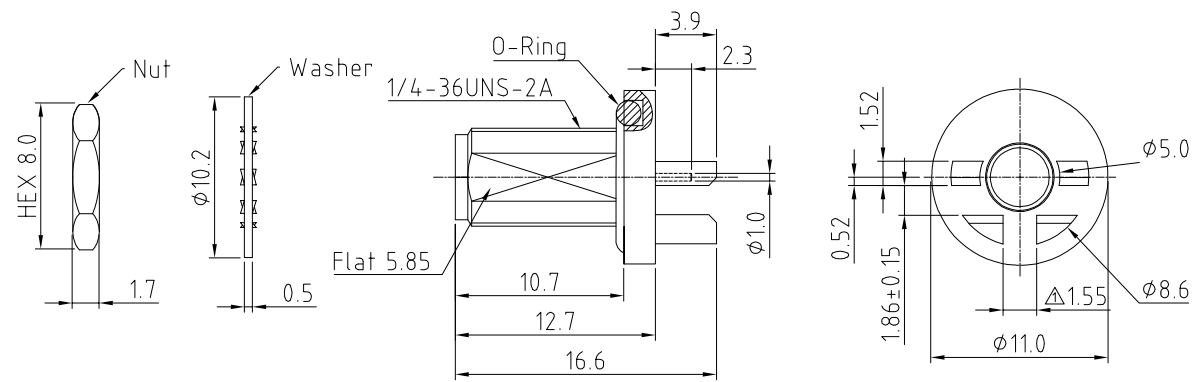
- Washer: Brass, Gold Plated
- Nut: Brass, Gold Plated

Environmental:

- A. Tested to:
 - i. IP6x - Dust tight - no particle ingress.
 - ii. IPx8 Waterproof for 48 hours at 1 meter underwater.
 - iii. IPx9K Water spray, 14-16L per minute, at 8,000 ~ 10,000 kPa, at 100-150mm distance for 30 seconds.

Notes:

- 1. Working Frequency Range: DC-6GHz.
- 2. Operating Temperature: -65°C to +165°C.
- 3. Impedance: 50 Ohm
- 4. VSWR: 1.5 Max.
- 5. Recommended PCB Thickness: 1.6mm.



HOW TO ORDER

RFPC - SMA23 - FN - 186 - X

WASHER AND NUT OPTIONS:
 BLANK = SEPARATELY PACKED (STANDARD)
 A = ALL ASSEMBLED WITH CONNECTOR

REV. DATE & DRN
 T0 23/05/23 - NYW RELEASE
 T1 26/06/23 - NYW UPDATE IP RATING
 T2 08/09/23 - NYW A: ANCHOR DIMENSION

Scale: NTS	THIRD ANGLE	Unstated X ±0.2 XX ±0.2 XXX ±0.2 ANGLES N/A	Tolerances: ±0.2 ±0.2 ±0.2 N/A
Drawn: NYW			
App'd: XXX	Title SMA PCB Connector		
Date: 8 SEP. '23	Revision: 1.3	Unit: mm	

 IP67/68 Rated Cables	 www.gradconn.com	Type: RFPC-SMA23-FN
		RFPC-SMA23-FN-186
© THIS DRAWING IS CONFIDENTIAL AND MUST NOT BE COPIED OR DISCLOSED WITHOUT WRITTEN CONSENT		Drawing Number:
		Sheet 1 of 1
		Drawing © E and O E