

RFAD-SA3SA2-01-N: SMA BULKHEAD JACK TO SMA JACK ADAPTER, WITH O-RING, IP67, 6GHz

MATERIAL AND PLATING:

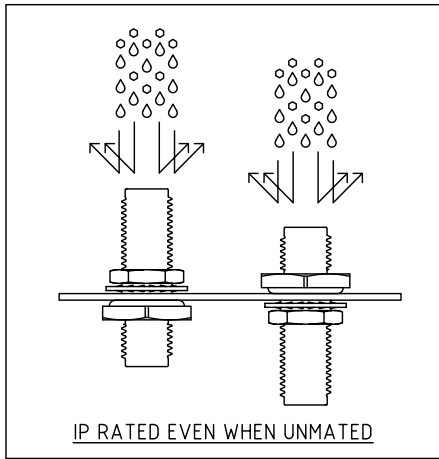
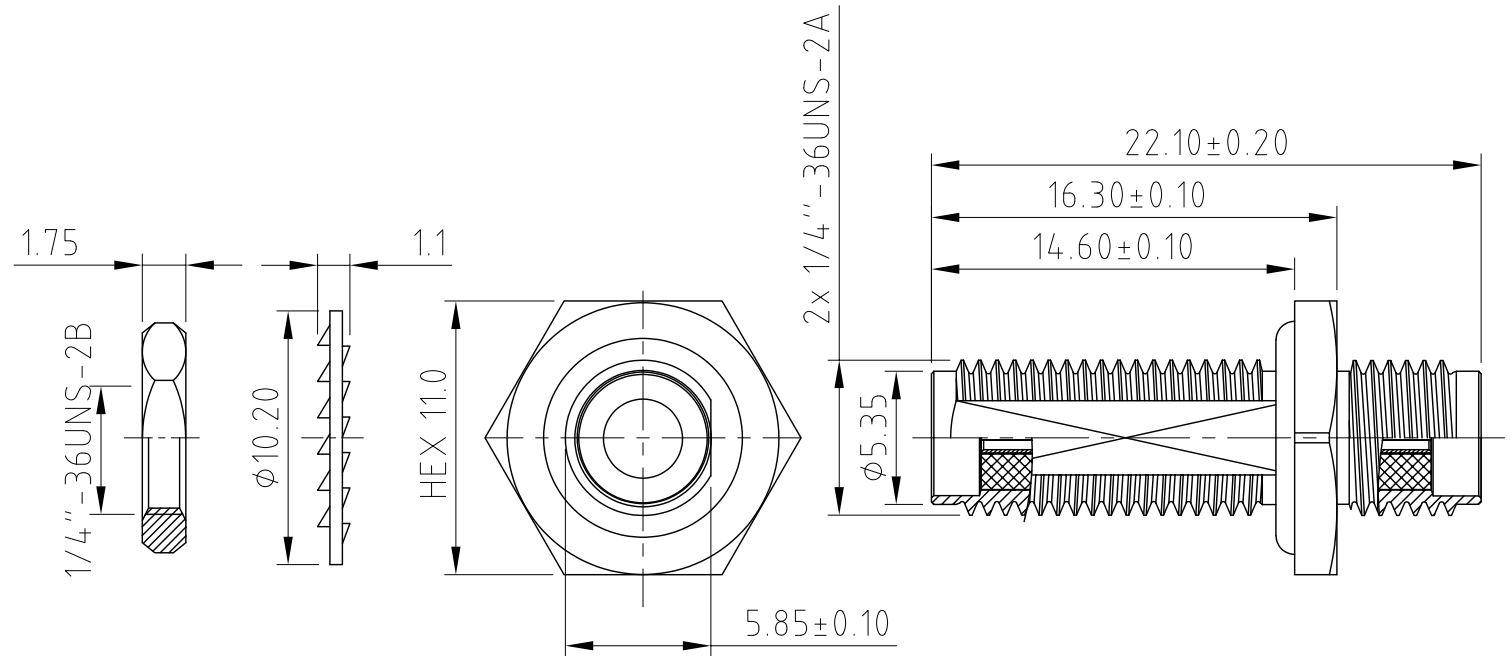
- 1. NUT: BRASS, GOLD PLATED.
- 2. WASHER: BRASS, GOLD PLATED.
- 3. BODY: BRASS, GOLD PLATED.
- PIN: BRASS, GOLD PLATED.
- INSULATOR: PTFE, COLOR: WHITE.
- O-RING: SILICONE RUBBER, COLOR: BLACK.

ENVIRONMENTAL:

- A. RATED TO:
 - I. IP6X - DUST TIGHT - NO PARTICLE INGRESS.
 - II. IPX7 WATERPROOF FOR 30 MINUTES UP TO 1 METER UNDERWATER.

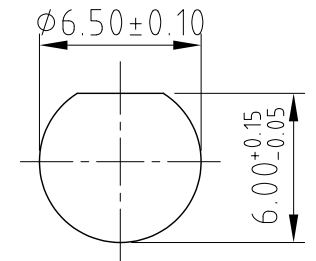
NOTES:

- 1. WORKING FREQUENCY RANGE: DC-6GHz
- 2. OPERATING TEMPERATURE: -55°C TO +125°C
- 3. IMPEDANCE: 50 OHM



HOW TO ORDER
RFAD - SA3SA2 - 01 - N - X

WASHER AND NUT OPTIONS:
BLANK = SEPARATELY PACKED (STANDARD)
A = ALL ASSEMBLED WITH CONNECTOR



RECOMMENDED SMA MOUNTING HOLE

REV. DATE & DRN
10/23/07/24 - CC - RELEASE
11/27/00/24 - CC
ADD P. RATING VIEW.

Scale: NTS	THIRD ANGLE	Unstated .X .XX .XXX	Tolerances: ± 0.20 ± 0.10 ± 0.05 N/A
Drawn: CC		ANGLES N/A	
App'd: XXX	Title RF ADAPTOR		
Date: 21 OCT. '24	Revision: 1.1	Unit: mm	

IP Rated RF Products

www.gct.co www.gradconn.com

Drawing Number: RFAD-SA3SA2-01-N	
Sheet 1	of 1
Drawing ©	E and O E